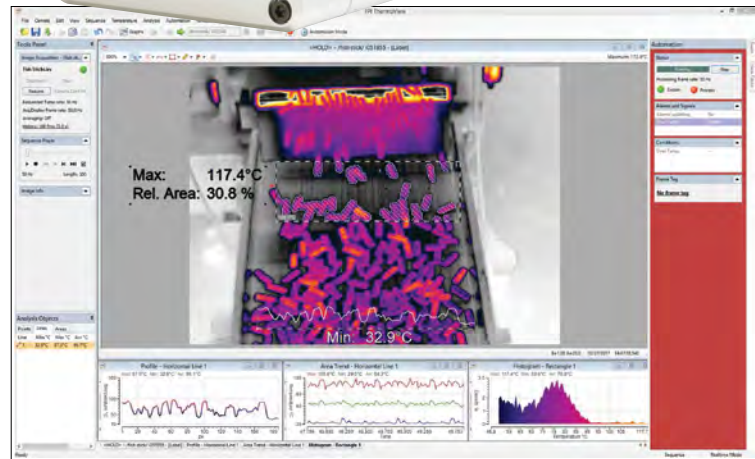


ThermoView® TV40 Thermal Imager

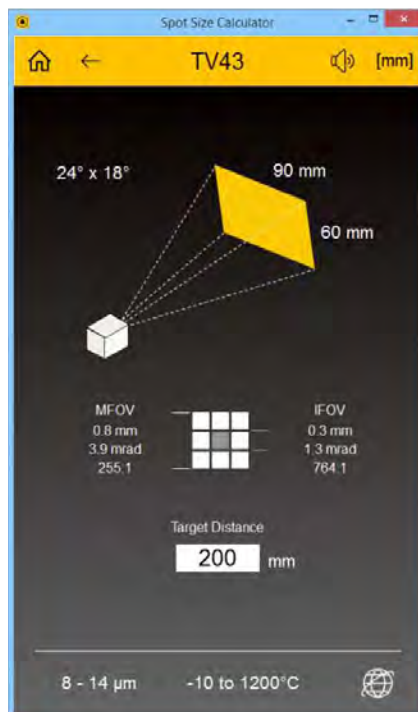
Datasheet

Highlights

- Wide temperature range:
-10 to 1200°C (14 to 2192°F)
- Rugged aluminum housing, IP67 (NEMA 4) rated
- Ambient temperatures to 200°C (392°F) with high temperature enclosure
- Air purge and accessories available
- Sighting options:
Simultaneous thermal and visible sighting for easy alignment
Remote motorized focus
- 320 x 240 and 640 x 480 focal plane array
- 9 or 60 HZ models available
- GigE Vision interface
- LAN/Ethernet with PoE for communication with the camera provides access to Ethernet, Web server and ThermoView Software
- ThermoView software for industrial automation applications
- Multiple field interchangeable lens options available



TV40 camera with ThermoView software for factory automation, process inspection or process monitoring applications.



Example spot size calculator for use with TV43 and TV46 Thermal Imagers

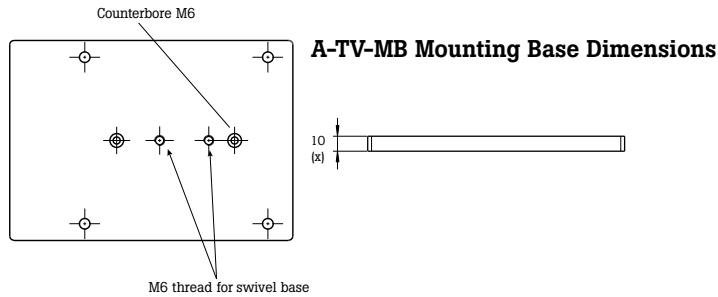
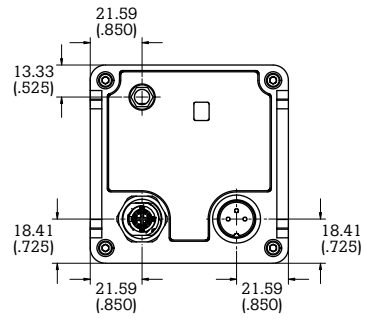
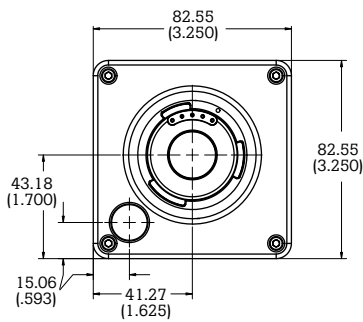
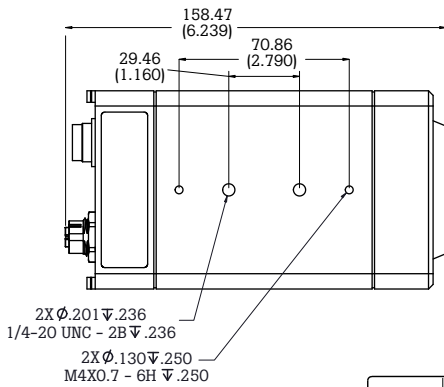
Measurement Specifications

	ThermoView TV43	ThermoView TV46
Sighting	Thermal + Visible light Camera (640 x 480)	
Measuring Range	-10 to 1200 °C (14 to 2192 °F)	
Measurement Accuracy	±2 °C or ±2 % (reading)	
Number of Pixels	320 x 240	640 x 480
Spectral Range	8 - 14 μm	
Detector	Uncooled focal plane array	
Field of View	Horizontal 24 ° x 18 °	Horizontal 34 ° x 25.5 °
Add on Lens Options (add in field)	0.75X Wide Lens (32 ° x 24 °) 2X lens (12 ° x 9 °) 4X lens (6 ° x 4.5 °) Macro lens	0.75X Wide Lens (45 ° x 34 °) 2X lens (17 ° x 12.7 °) 4X lens (8.5 ° x 6.3 °) Macro lens
Focus Range	IR 15 cm - ∞ (motorized remote focus) Visible light: 60 cm - ∞	
Camera Frame Time	9 or 60 frames/sec. (must be specified at the time of ordering)	
Emissivity Correction	0.10 to 1.00	
Interface	GigE Vision	
LED Display	Power supply indication, system error codes	
Operating Temperature	-10 to 50 °C (14 to 122 °F)	
Storage Temperature	-20 to 50 °C (-4 to 122°F)	
Humidity	10 - 95 % non-condensing	
Power Supply	DC + 12 to 26V , ?? mA or PoE (Power over Ethernet)	
Power Consumption	8W (typical) 13W (maximum)	
Shock Resistance	IEC 60068-2-27 (mechanical shock): 50g, 6 ms, 3 axis	
Vibration Resistance	IEC 60068-2-26 (sinusoidal vibration): 3g, 11 - 200Hz, 3 axis	
Environmental Protection	IP67 NEMA 4	
Dimensions W x H x L	Approximately 83 x 83 x 158 mm (3.25 x 3.25 x 6.22")	
Weight	Approximately 1.0 kg (2.2 lbs)	

Camera rear view



Camera Dimensions



Accessories

TV40 cameras are shipped with manual, calibration certification, quick reference guide, safety sheet. Additional accessories include but are not limited to:

- PoE Injector (light duty) provides power and also acts as a single Ethernet hub (110/220VAC input) **(A-TV-POE-1)**
- PoE Injector (industrial duty) provides power and also acts as a single Ethernet hub (110/220VAC input) **(A-TV-POE-2)**
- Air purge collar (includes protective window) **(A-TV-AP)**
- Protective enclosure (water cooled/air purged) **(A-TV-WC)**
- Protective Window - ThermoView **(A-TV-PW)**
- 24 VDC 1.2 A industrial power supply, DIN rail mount **(A-PS-DIN-24V)**
- Mounting Base **(A-TV-MB)**

The Fluke Process Instruments Guarantee

The ThermoView TV40 thermal imager is supported by a 2 year warranty. With a network of trained representatives and agents in over one hundred countries and offices located in the U.S., Germany and China, we provide local service and support you can rely on time after time.

Fluke Process Instruments